

HellermannTyton

INSTSRPJB

INSTALLATION INSTRUCTIONS FOR 600V RATED SURFACE RACEWAY

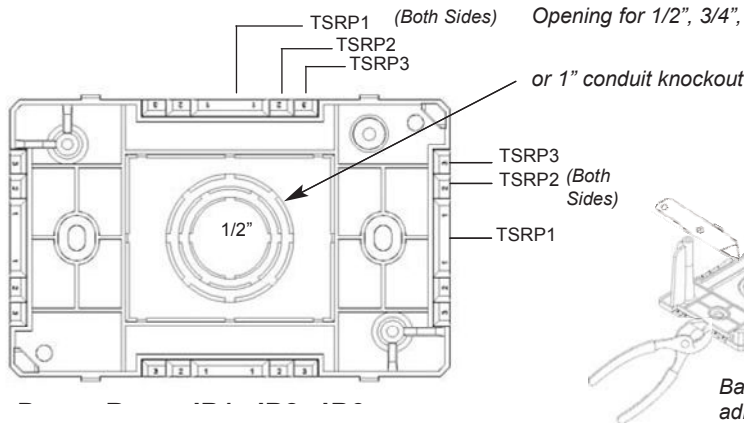


JUNCTION BOX

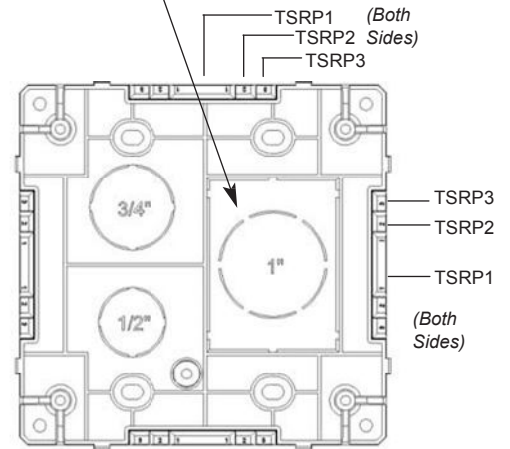
Part Numbers: TSRPX-JB1, TSRPX-JB2, TSRPX-JB3, TSRPX-JBD, TSRPX-JBD2

Replace "X" in the part number with the following letters for desired color: I (ivory), FW (office white), W (white)

BASE BREAKOUTS



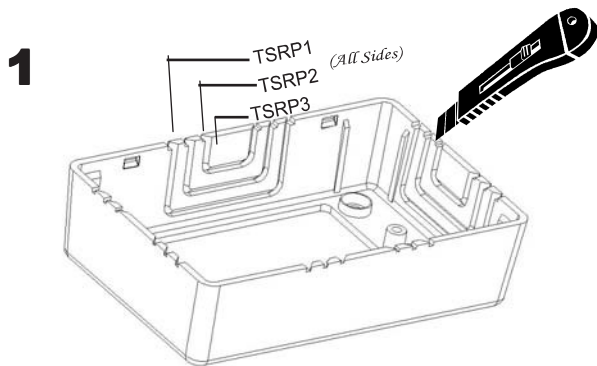
Circular Breakout



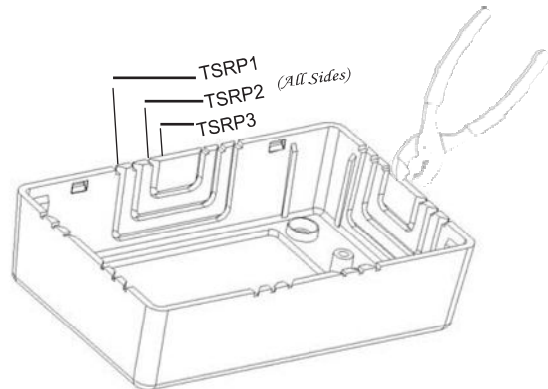
Bases supplied with adhesive on bottom for easy application.

POWER RATED JBD, JBD2 - DUAL GANG

COVER BREAKOUTS



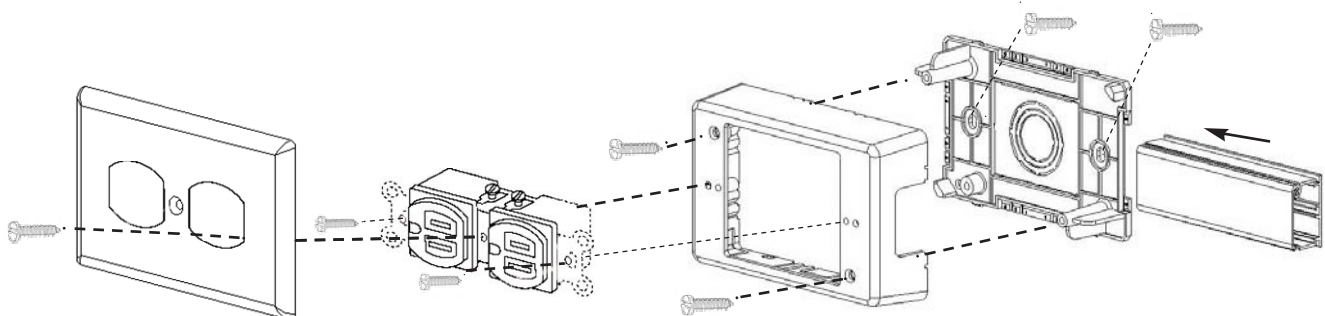
2



Power Rated -
JB1, JB2, JB3,
JBD & JBD2

Power Rated -
JB1, JB2, JB3,
JBD & JBD2

TYPICAL ASSEMBLY



* Faceplate Sold Separately

* Electrical Outlet Sold Separately

Screws for base to cover included

#6 round or pan-head screws for base to wall not included

HellermannTyton • 7930 N. Faulkner Rd. Milwaukee, WI 53224
Phone:(800)537-1512 • Fax:(800)848-9866
www.hellermann.tyton.com • email:corp@htamericas.com