

HellermannTyton

INSTSRP50

INSTALLATION INSTRUCTIONS FOR 600V RATED SURFACE RACEWAY

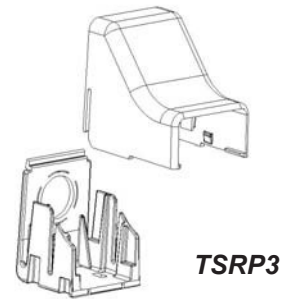
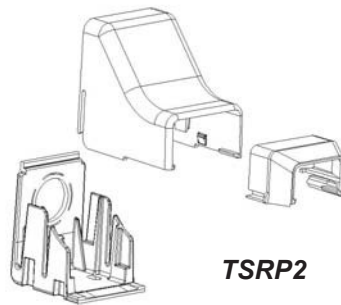
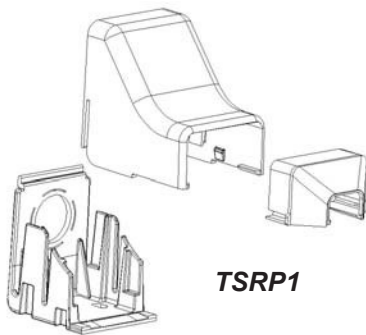


CEILING DROP FITTING

Part Numbers: TSRP1X-50, TSRP2X-50, TSRP3X-50

Replace "X" in the part number with the following letters for desired color: I (ivory), FW (office white), W (white)

Accessories are rated for power applications up to 600V as required by UL5A specifications.

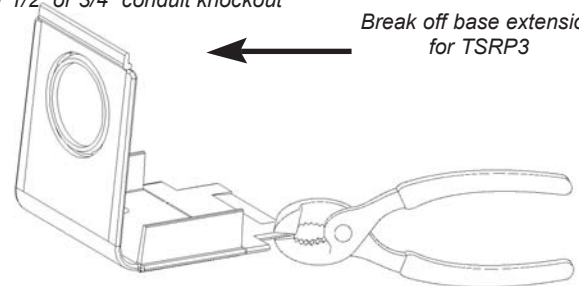


Raceway	Size	Ceiling Drop
TSRP1	3/4"	TSRP1-50
TSRP2	1-1/4"	TSRP2-50
TSRP3	1-3/4"	TSRP3-50*

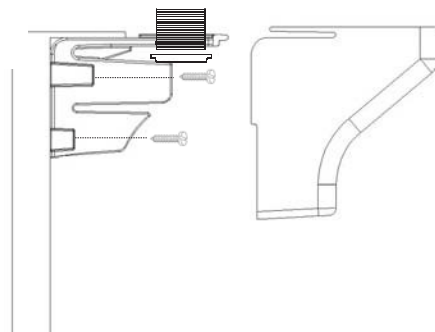
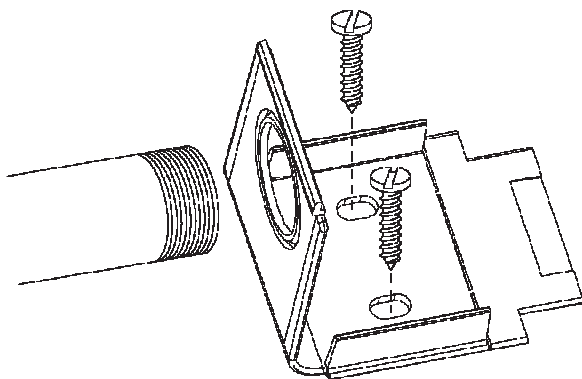
*For this size, must break off base extension (see illustration)

Opening for 1/2" or 3/4" conduit knockout

Break off base extension
for TSRP3



Appropriate mounting hardware should be used to secure the fitting to the mounting surface. Recommend use of #8 round or pan-head screws.



HellermannTyton • 7930 N. Faulkner Rd. Milwaukee, WI 53224
Phone:(800)537-1512 • Fax:(800)848-9866
www.hellermann.tyton.com • email:corp@htamericas.com