

HellermannTyton

INSTSRP33

INSTALLATION INSTRUCTIONS FOR 600V RATED SURFACE RACEWAY



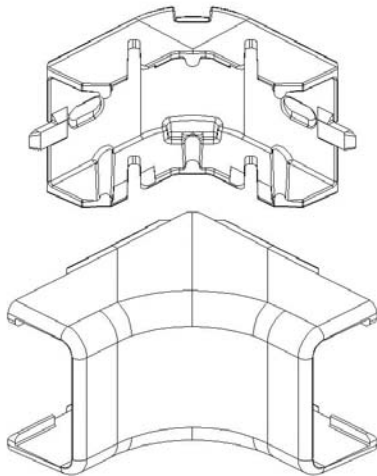
INTERNAL CORNER FITTING

Part Numbers: TSRP1X-33-1, TSRP2X-33-1, TSRP3X-33-1

Replace "X" in the part number with the following letters for desired color: I (ivory), FW (office white), W (white)

Accessories are rated for power applications up to 600V as required by UL5A specifications.

1

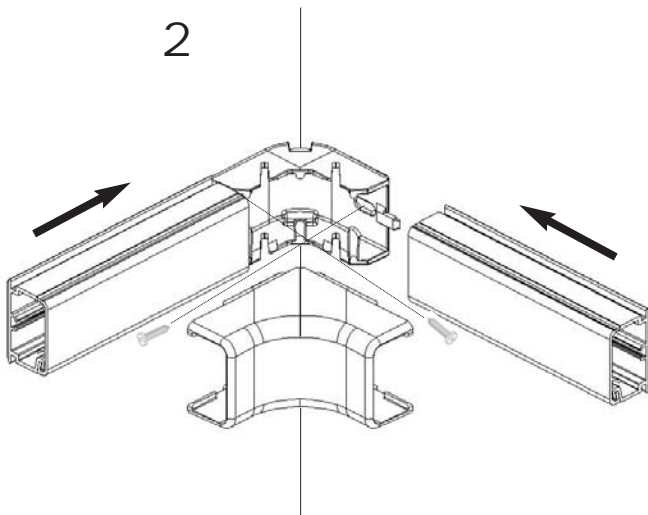


Appropriate mounting hardware should be used to secure the fitting to the mounting surface.

Recommend use of #8 round or pan-head screws.

Raceway	Size	Internal Corner
TSRP1	3/4"	TSRP1-33-1
TSRP2	1-1/4"	TSRP2-33-1
TSRP3	1-3/4"	TSRP3-33-1

2



3

