

INSTALLATION INSTRUCTIONS FOR 600V RATED SURFACE RACEWAY



REDUCER

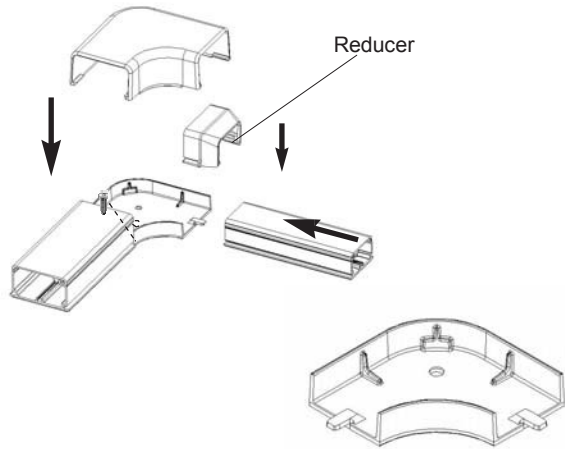
Part Numbers: TSRP1X-12, TSRP2X-12, TSRP3X-12

Replace "X" in the part number with the following letters for desired color: I (ivory), FW (office white), W (white)

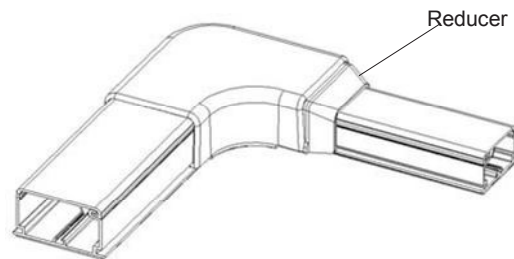
Accessories are rated for power applications up to 600V as required by UL5A specifications.

Appropriate mounting hardware should be used to secure the fitting to the mounting surface.

Recommend use of #8 round or pan-head screws.



Base required only for power applications.



HellermannTyton • 7930 N. Faulkner Rd. Milwaukee, WI 53224
Phone:(800)537-1512 • Fax:(800)848-9866
www.hellermann.tyton.com • email:corp@htamericas.com

INSTALLATION INSTRUCTIONS FOR 600V RATED SURFACE RACEWAY



REDUCER

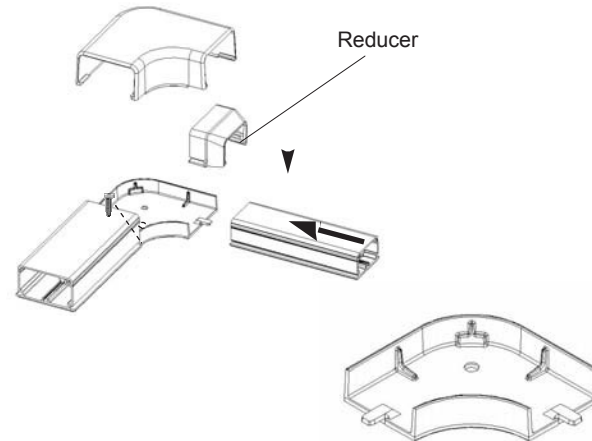
Part Numbers: TSRP1X-12, TSRP2X-12, TSRP3X-12

Replace "X" in the part number with the following letters for desired color: I (ivory), FW (office white), W (white)

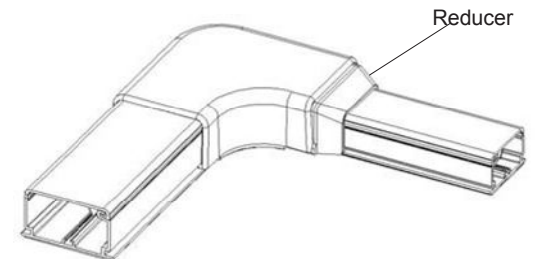
Accessories are rated for power applications up to 600V as required by UL5A specifications.

Appropriate mounting hardware should be used to secure the fitting to the mounting surface.

Recommend use of #8 round or pan-head screws.



Base required only for power applications.



HellermannTyton • 7930 N. Faulkner Rd. Milwaukee, WI 53224
Phone:(800)537-1512 • Fax:(800)848-9866
www.hellermann.tyton.com • email:corp@htamericas.com