

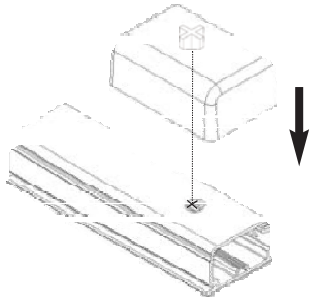
## INSTALLATION INSTRUCTIONS FOR LOW VOLTAGE SURFACE RACEWAY

### END CAP

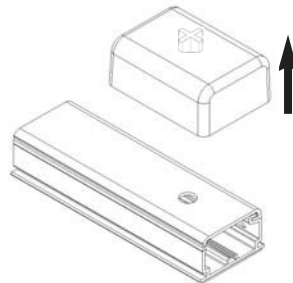
Part Numbers: TSR1X-36, TSR2X-36, TSR3X-36

Replace "X" in the part number with the following letters for desired color: I (ivory), FW (office white), W (white)

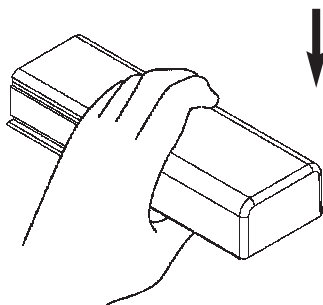
**For Power Applications:** Recommend to drill 3/16" diameter hole to secure fitting.



Make impression on raceway with end cap.



Remove cover and drill hole in raceway.



Mount end cap to raceway.

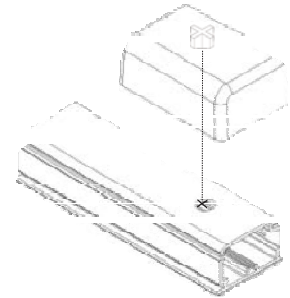
## INSTALLATION INSTRUCTIONS FOR LOW VOLTAGE SURFACE RACEWAY

### END CAP

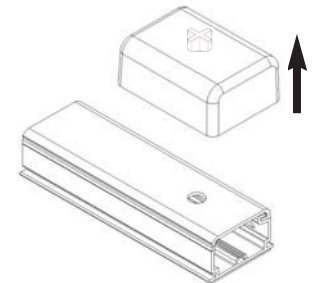
Part Numbers: TSR1X-36, TSR2X-36, TSR3X-36

Replace "X" in the part number with the following letters for desired color: I (ivory), FW (office white), W (white)

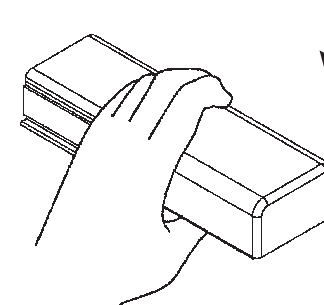
**For Power Applications:** Recommend to drill 3/16" diameter hole to secure fitting.



Make impression on raceway with end cap.



Remove cover and drill hole in raceway.



Mount end cap to raceway.