

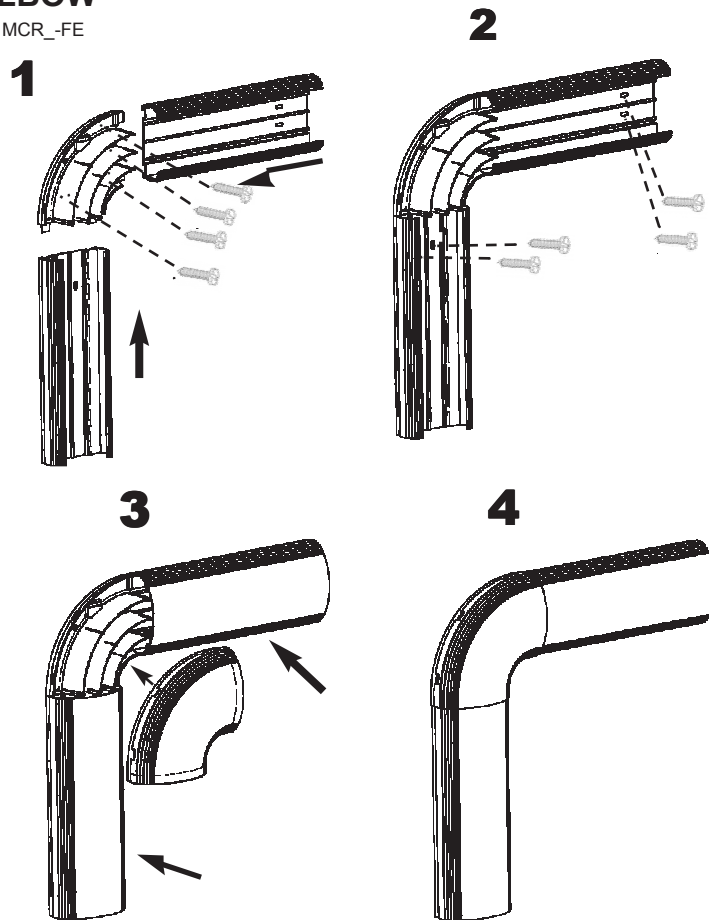
INSTALLATION INSTRUCTIONS FOR INFOSTREAM™

MULTI-CHANNEL RACEWAY SYSTEM



FLAT ELBOW

Part Number: MCR_FE



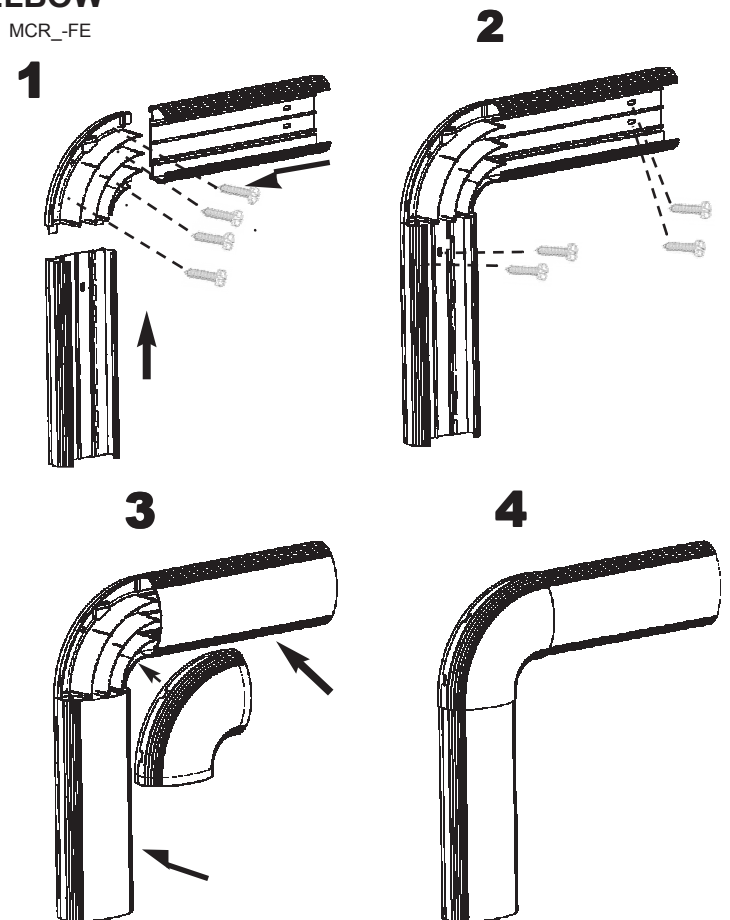
INSTALLATION INSTRUCTIONS FOR INFOSTREAM™

MULTI-CHANNEL RACEWAY SYSTEM



FLAT ELBOW

Part Number: MCR_FE



HellermannTyton • 7930 N. Faulkner Rd. Milwaukee, WI 53224
Phone:(800)537-1512 • Fax:(800)848-9866
www.hellermann.tyton.com • email:corp@htamericas.com

HellermannTyton • 7930 N. Faulkner Rd. Milwaukee, WI 53224
Phone:(800)537-1512 • Fax:(800)848-9866
www.hellermann.tyton.com • email:corp@htamericas.com