

HellermannTyton

INSTMCRENT

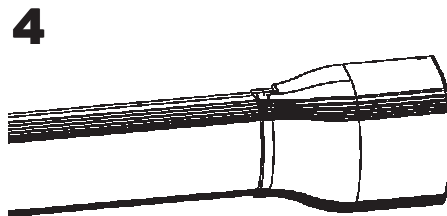
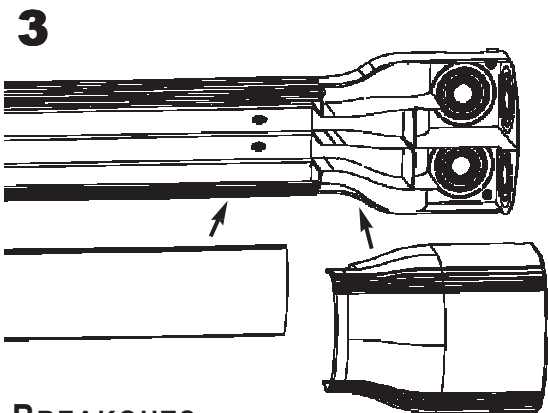
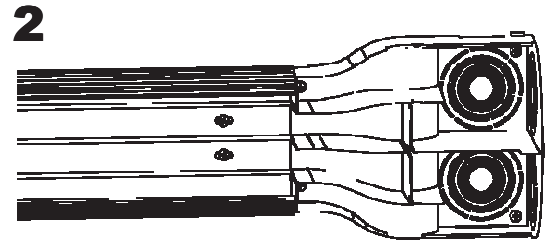
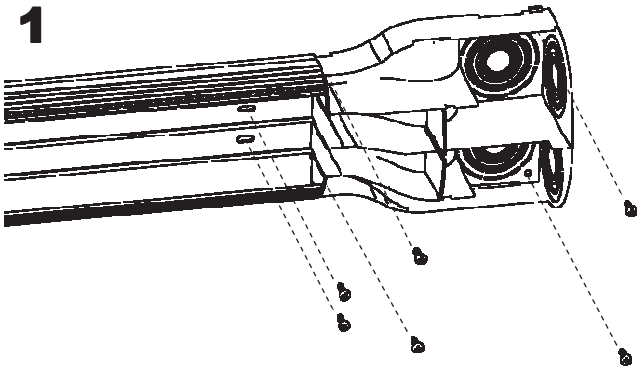
INSTALLATION INSTRUCTIONS FOR INFOSTREAM™ MULTI-CHANNEL RACEWAY SYSTEM



ENTRANCE END FITTING

Part Number: MCR_-ENT

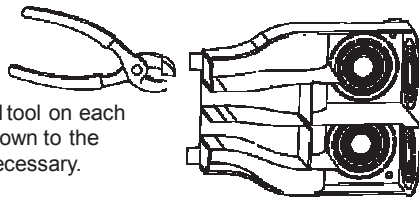
Appropriate mounting hardware should be used to secure the raceway to the mounting surface. Recommend use of #8 round or pan-head screws.



BREAKOUTS

DIVIDER BREAKOUT

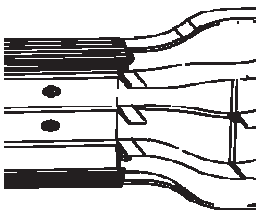
Apply **heavy** score with utility knife or dremel tool on each side of divider and breakout using pliers as shown to the right. Use file to remove excess material, if necessary.



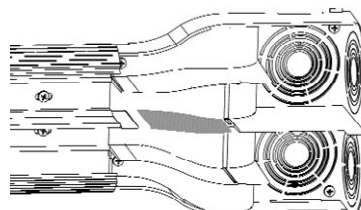
CONDUIT BREAKOUT

Apply **heavy** score with utility knife or dremel tool at perforations of desired size, then **carefully** breakout using pliers or flat screwdriver. Alternately, a progressive drill bit may be used to remove material to achieve desired size. Use file to remove excess material, if necessary.

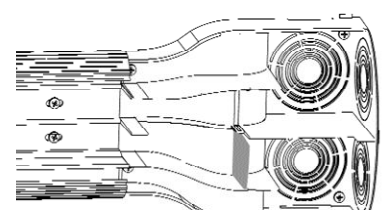
FOR USE WITHOUT D



FOR USE WITH CENTER DIVIDER*



USE WITH SIDE DIVIDER*



Dividers are denoted by shading.

HellermannTyton • 7930 N. Faulkner Rd. Milwaukee, WI 53224
Phone:(800)537-1512 • Fax:(800)848-9866
www.hellermann.tyton.com • email:corp@htamericas.com