

INSTALLATION INSTRUCTIONS FOR INFOSTREAM™

MULTI-CHANNEL RACEWAY SYSTEM

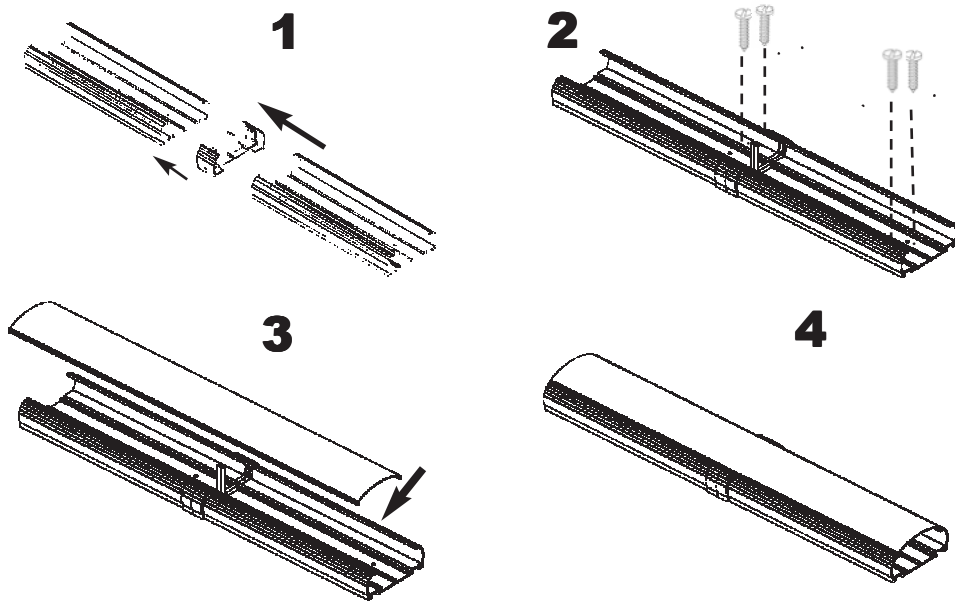


BASE SPLICE

Part Number: MCR_-BS

Appropriate mounting hardware should be used to secure the raceway to the mounting surface. Recommend use of #8 round or pan-head screws.

The base splice has a divider built into the middle. This may be snapped off if the side divider is used.



INSTALLATION INSTRUCTIONS FOR INFOSTREAM™

MULTI-CHANNEL RACEWAY SYSTEM



BASE SPLICE

Part Number: MCR_-BS

Appropriate mounting hardware should be used to secure the raceway to the mounting surface. Recommend use of #8 round or pan-head screws

The base splice has a divider built into the middle. This may be snapped off if the side divider is used.

